



The maximum mounting height is 60 meters. Span length can be from 2 to 3 meters by agreement with the client. Scaffolding elements can be made of pipes with thickness ranging from 2.0 to 3.5 mm.

Scaffoldings are represented in two variants, painted and galvanized.

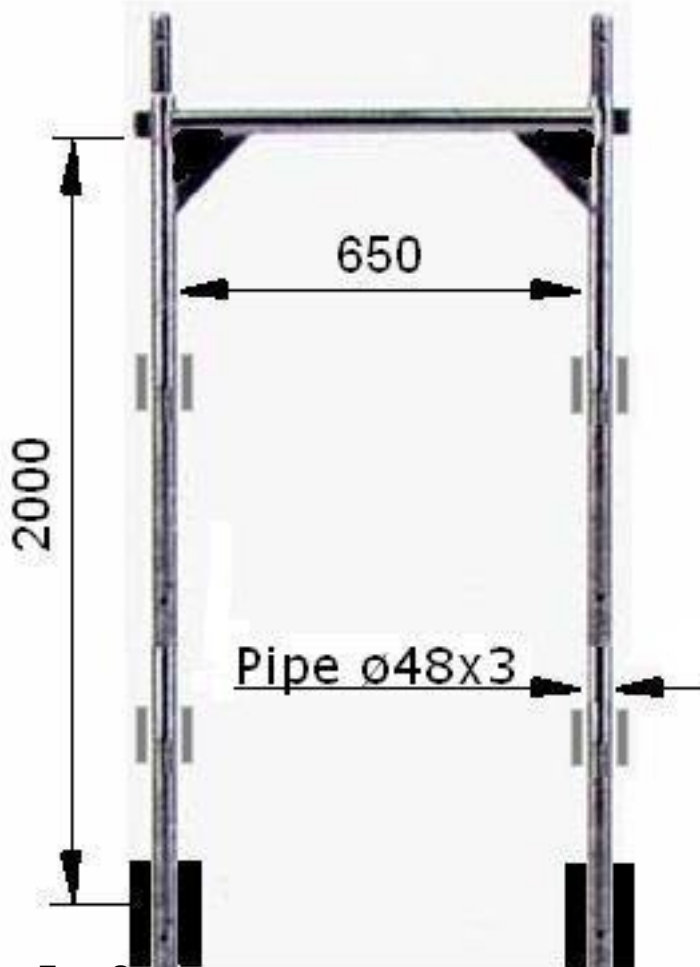
Board loading is 400 kg/m<sup>2</sup>.

Width of section can be from 0.7 to 1.0 meter.

In present business proposal we offer prices for scaffoldings with pipe thickness shown on pictures.



The Frame



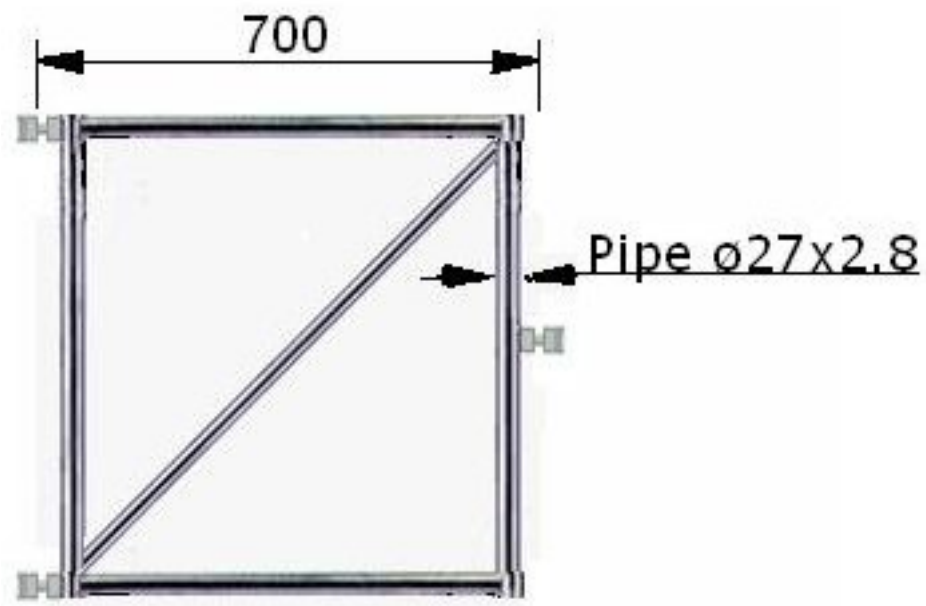
The Foot Support



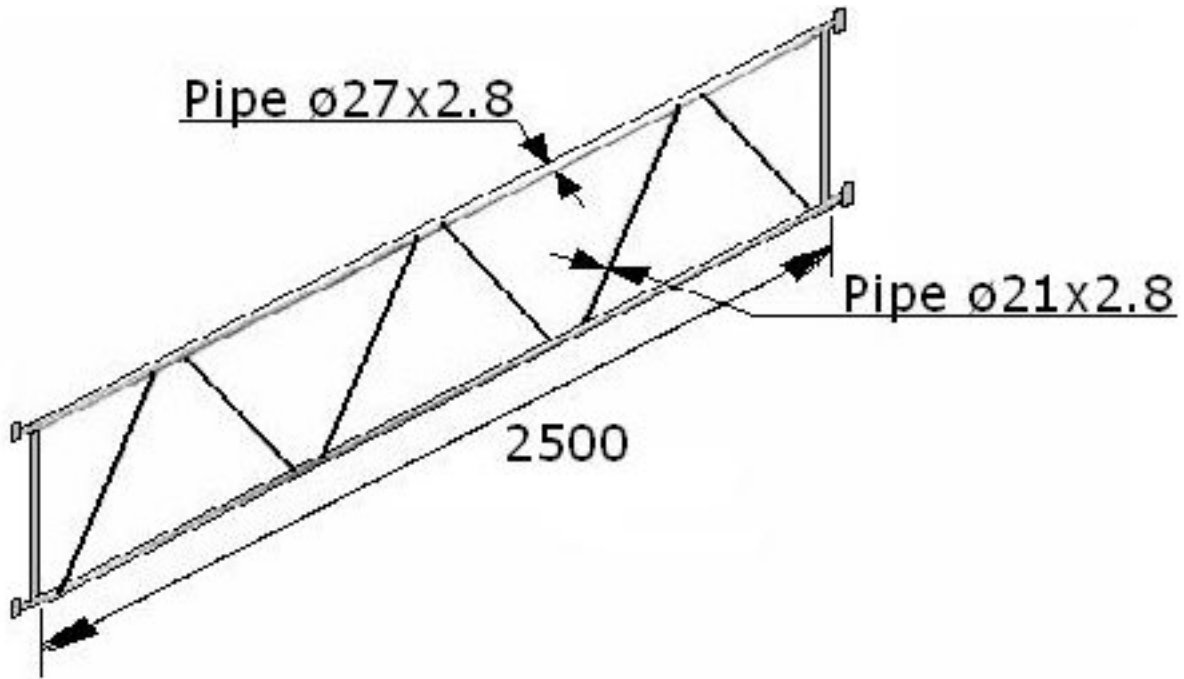
The Scaffolding Jack



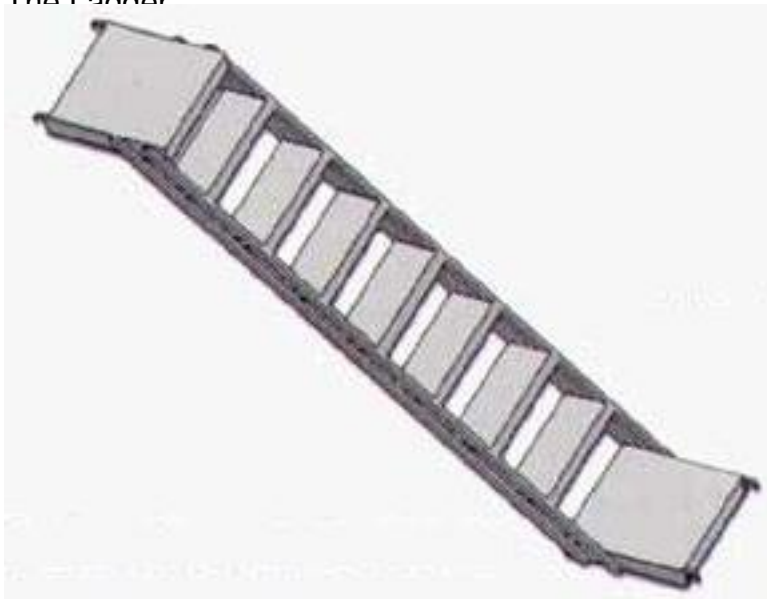
The Side Fence



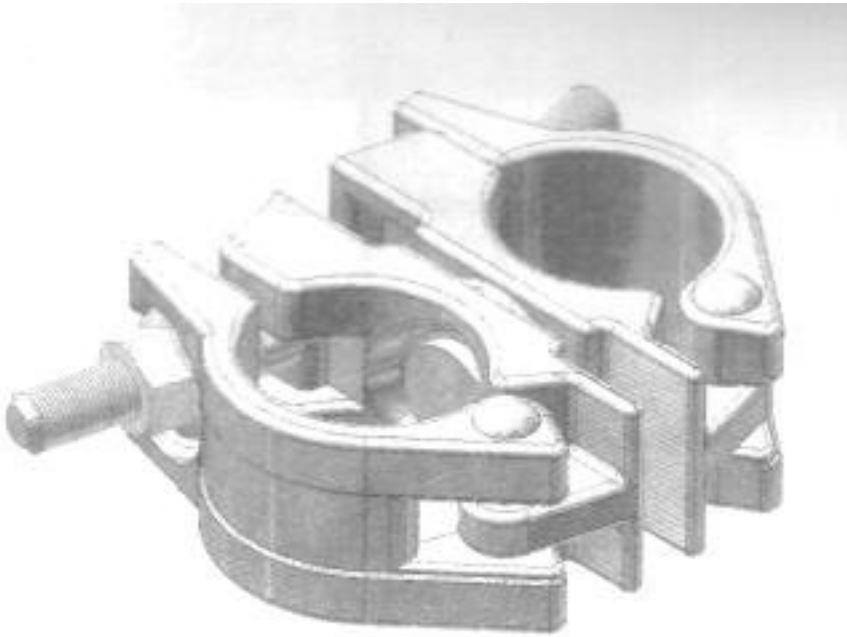
The Scaffolding Truss



The Ladder



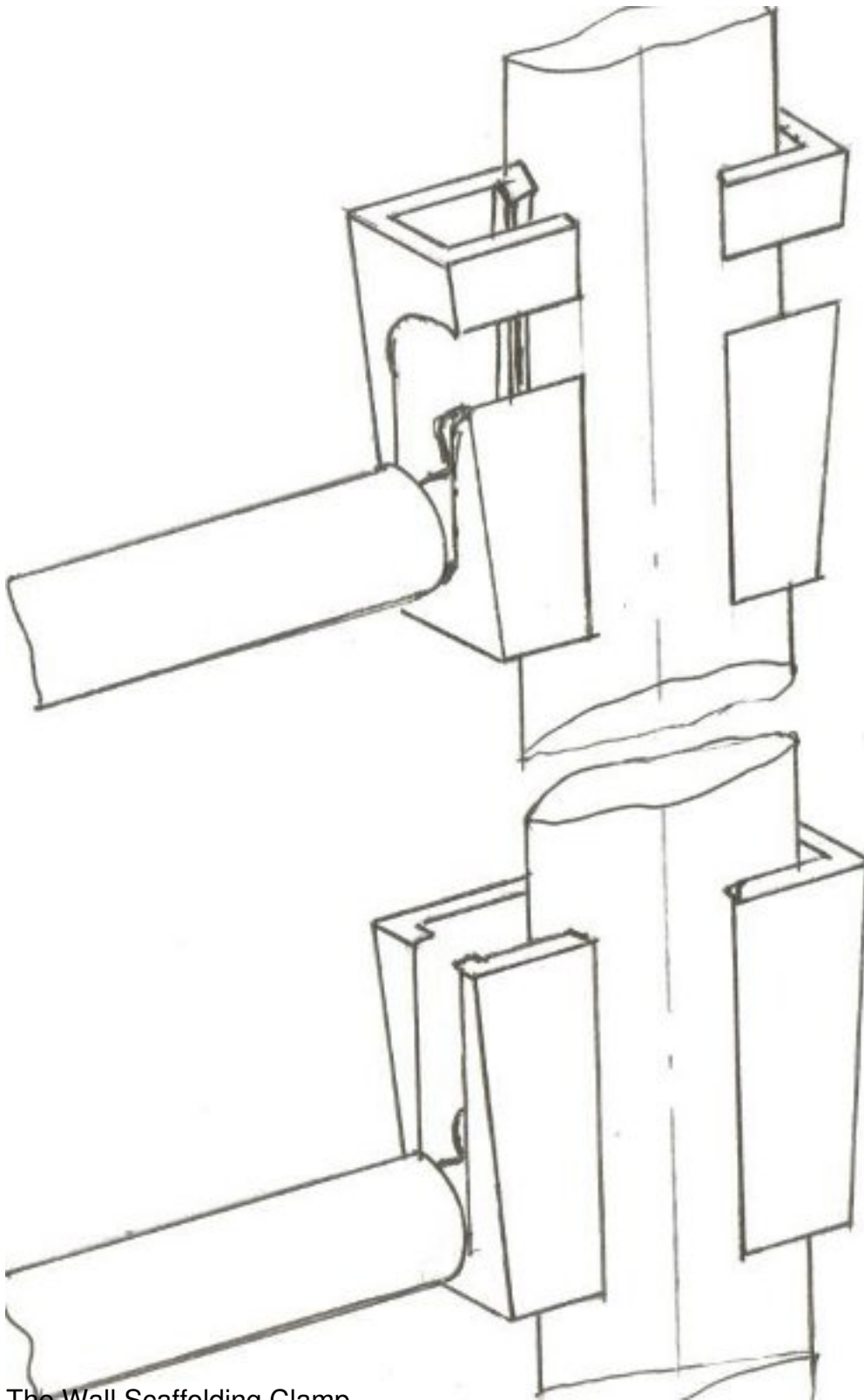
The Rotary Clamp



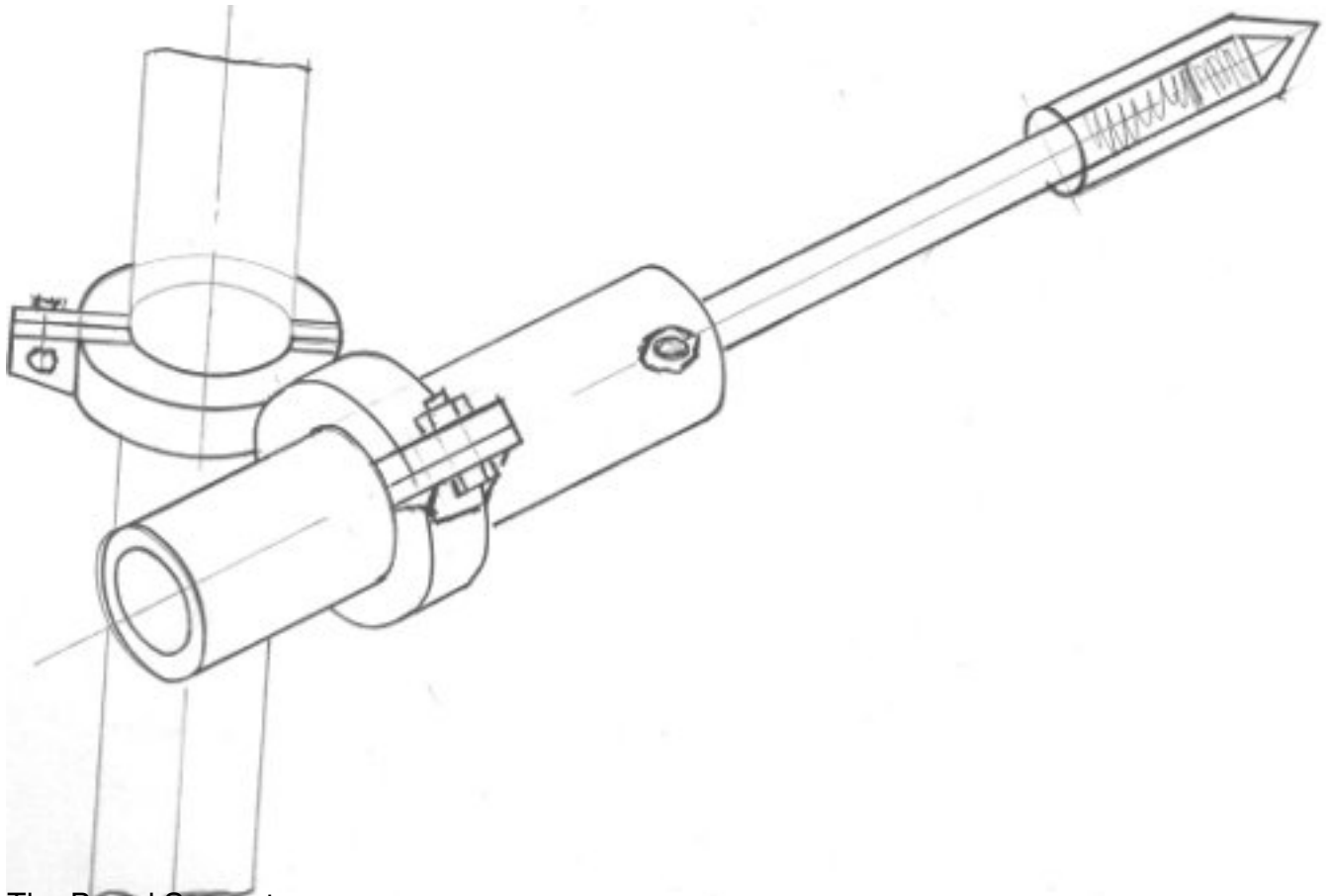
The Diagonal 3 m



The Scaffolding Joint Member



The Wall Scaffolding Clamp



The Board Support

